

## AD21 Acoustic Leak Detector



The HIKMICRO Acoustic Leak Detector AD21 is a high-performance device designed for technicians and plumbers to find leaks in plumbing, water service, and residential or commercial properties. The device has four ranges of selectable digital bandpass filters, and the amplification is up to 80 dB. The filtration and amplification of the sound frequencies can help you locate the leakage points accurately. It can be widely used with the handheld sensor and pick-up sensor correspondingly. Furthermore, it can detect ignored leaks, reducing resource waste and property loss.

### ▪Key Features

- Supports four ranges of selectable digital bandpass filters
- Frequency Range 150Hz-7500Hz
- 1024 × 600 Resolution, 7"LCD Touch Screen
- Up to 11 hours continuous running

## ▪ Specification

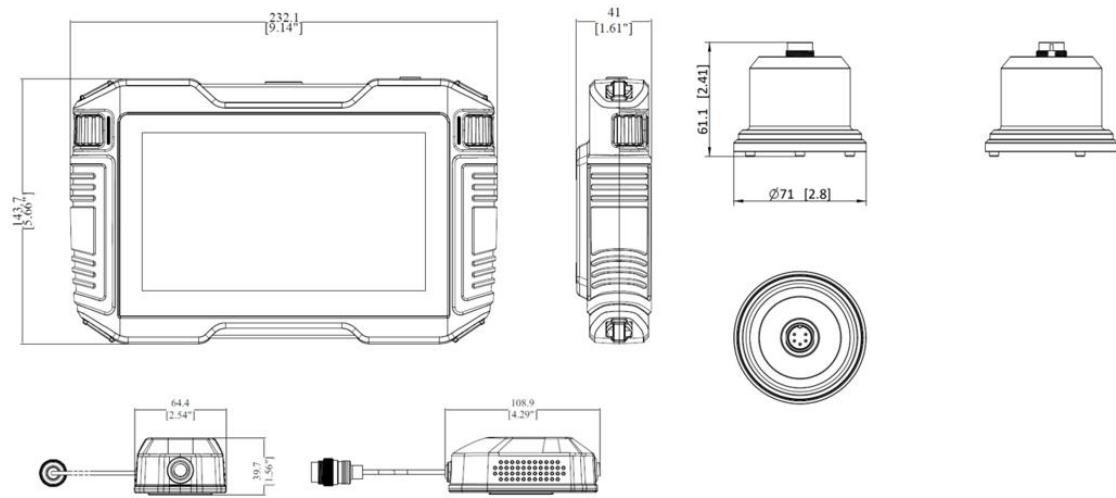
<b>Acoustic</b>	
Frequency Range	150~7500 Hz
Signal Noise Ratio	60 dB
Sensitivity	-29dB, 70 mv/g
Sensor	hand held sensor, Pick-up sensor
Band Pass Filters	Indoor low frequency 150 Hz to 3000 Hz Indoor mid-frequency 3000 Hz to 6000 Hz Indoor high frequency 4500 Hz to 7500 Hz Indoor all-pass 150 Hz to 7500 Hz
Amplification	80 dB
<b>Image Display</b>	
Display	1024 × 600 Resolution, 7"LCD Touch Screen
Screen Brightness	Manual /Auto
<b>Data Storage and Communication</b>	
Storage Media	Built-in EMMC(4GB)
Audio Storage Capacity	Approx. 10 hours
Audio File Format	.wav
<b>General</b>	
USB Interface	USB 2.0, USB Type-C
EMC	EN55032:2015+A11:2020 EN50130-4:2011+A1:2014 EN61000-3-3:2013
Working Temperature Range	-10 °C to 50 °C (14 °F to 122 °F)
Drop Test Height	1.2 m (3.93 ft)
Weight	Main Unit: 821 g (1.81 lb) Hand held sensor: 239 g (0.53 lb) Pick-up sensor: 490 g (1.08 lb) Headset: 214 g (0.47 lb) Standard package: 3000 g (6.61 lb)
Storage Temperature Range	-40 °C to 70 °C (-40 °F to 158 °F)
Relative Humidity	< 90 % non-condensing
Battery Type	Rechargeable Li-ion Battery
Battery Operating Time	≥11 h
Battery Charging Time	3 h to 90%, 6 h to full charge
Protection Level	Main Unit: IP40; Hand held sensor: IP54; Pick-up sensor: IP66;

## ▪ Available Model

HM-AP21-W-AD21

HM-AP21-AD21

## Dimension





 Hikmicro Industrial

 hikmicro\_industrial

 HIKMICRO Industrial

 HIKMICRO

 [info@hikmicrotech.com](mailto:info@hikmicrotech.com)

 [www.hikmicrotech.com](http://www.hikmicrotech.com)

© Hangzhou Microimage Software Co., Ltd. All Rights Reserved.

\*Note: Specifications are subject to change without notice. For the current specs,  
please go to [www.hikmicrotech.com](http://www.hikmicrotech.com)